

MADE IN ITALY



LOGIC

INCLINED PLATFORM LIFT FOR STRAIGHT STAIRS

extrōma[®]
solutions in motion



Since Logic runs on **rechargeable batteries**, the lift can be used even in the event of power blackouts. The **motor-operated platform and safety bars** (provided as standard) simply enable the fully automatic opening and closing of the platform. Logic is specifically designed for **outdoor installation** and thanks to the modular concept of the rails it is **ready in a few days** from the order date.



Logic has a **very reduced encumbrance** in the folded position.



REMOTE CONTROLS

to call the stairlift from the floor or send it to the parking position



FOLDABLE SEAT

for users not on wheelchair



OPTIONAL WANDER LEAD

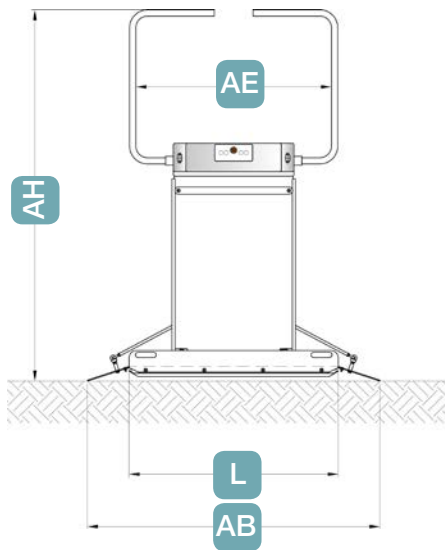
for attendant control, with spiral cable



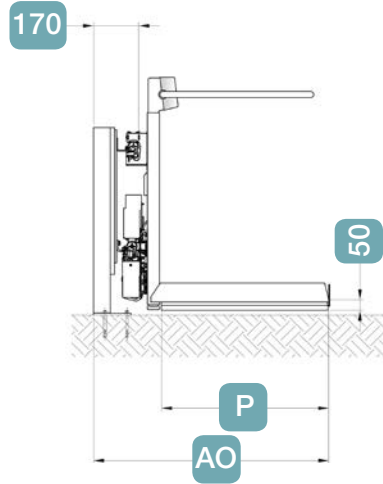
1. The **controls** for rise and descent are **easily reachable** by any user on every side of the instrument board.
2. The **overload led** and the **flashing light with sound alarm** fulfill compliance to the existing Safety Regulations both in private and public places.
3. The emergency button **stops immediately** the platform; when pressed it lights up and sounds uninterruptedly, warning the user of any incidental pressing.
4. The **key switch on board** prevents from use of the lift by unauthorized persons.

TECHNICAL FEATURES OF LOGIC PLATFORM LIFT

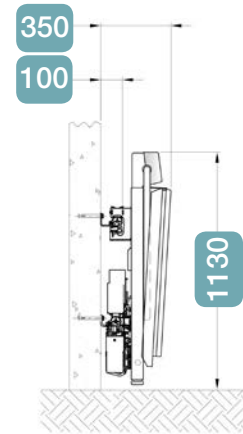
Unfolded platform (loading/
unloading at the bottom floor)



Unfolded platform,
fixation with legs



Folded platform,
wall fixation



Platform dimensions (LxP)	750x600	750x650	750x700	850x700	1000x800	1250x800
AB Overall platform length	1165	1165	1165	1265	1400	1650
AE Overall useful length within barrier arms	745	745	745	825	975	1225
AH Overall height unfolded platform	1640	1690	1690	1690	1765	1765
AO Unfolded platform (wall fixation)	850	900	950	950	1050	1050
AO Unfolded platform (fixation with legs)	920	970	1020	1020	1120	1120

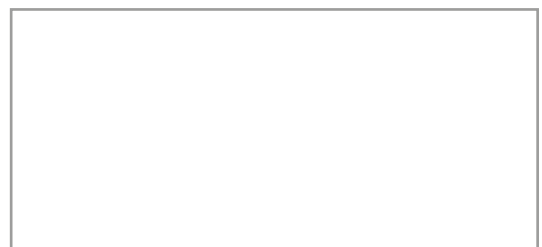
Technical data	
Load capacity	250 Kg
Surmountable inclination	10°-45°
Speed	0,10 m/s
Control circuits voltage	24 V DC
Maximum power on board	0,54 kW
Main voltage	115-240V AC
Soft start and soft stop system	standard fitted

Colours	
Platform (*)	Standard RAL 7035
Rails	Aluminium Silver anodized
(*) other RAL colours available on request	

All dimensions are expressed in millimeters and all information contained in this catalogue have to be ment purely indicative. Extrema reserve the right to change at any time the information here reported without prior notification.

extrema
solutions in motion

Extrema S.r.l.
Via dell'Industria 2
46031 Bagnolo San Vito (MN) - I
Tel. (+39) 0376 252443
Fax (+39) 0376 251091
www.extrema.it



For futher information see our website www.extremalifts.eu